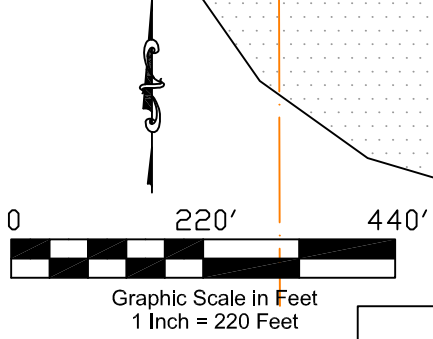
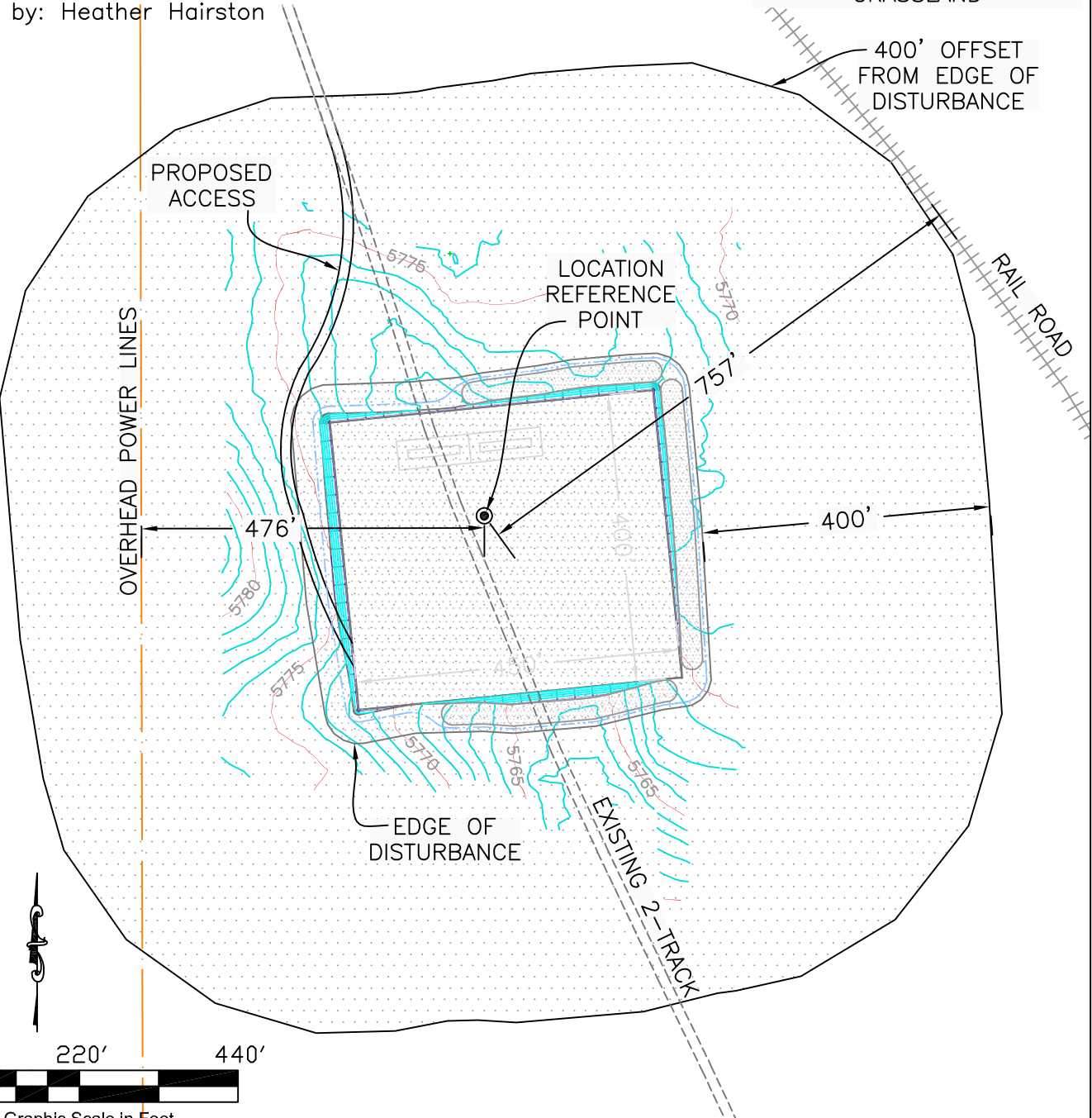


LOCATION DRAWING

Western Land Surveying of Sheridan, Wyoming, in accordance with a request from Slawson Exploration Company, Inc., has determined the location of Corral 22-11-67 to be 605 feet FNL, and 605 feet FWL, (90° off Section Lines) of Section 22, Township 11 North, Range 67 West, of the 6th Principal Meridian, Weld County, Colorado.

Date: Staked on 5/27/2010, drawn on 7/27/2010
 Staked by: Nick Roadifer
 Drawn by: Heather Hairston

SURFACE USE: RANGELAND
 VEGETATION: NATIVE GRASSLAND





WESTERN LAND SERVICES
 Sheridan, WY 82801 (307)673-1817

Slawson Exploration Company, Inc.
 Corral 22-11-67

SL: NW 1/4 NW1/4 SECTION 22, T11N R67W
 BL: SE 1/4 NE1/4 SECTION 22, T11N R67W
 6TH PM, WELD COUNTY, COLORADO